

CMHD3523DWE-ZF 2 MP Ultra-Low Light Dome Camera



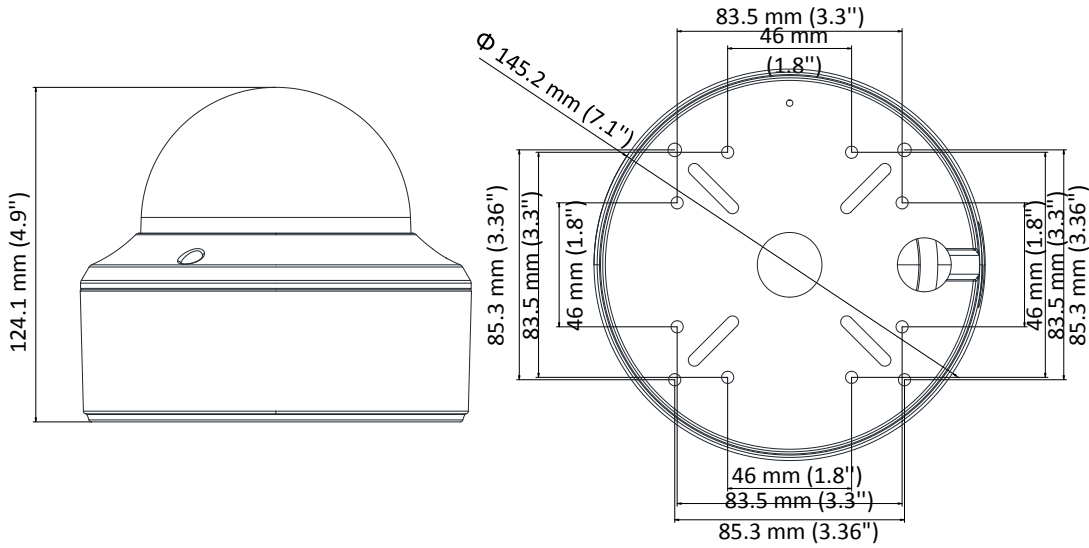
Key Feature

- 2 MP high performance CMOS
- Ultra-low light
- 1920 × 1080 resolution
- 2.7 mm to 13.5 mm varifocal lens, auto focus
- 130 dB true WDR, 3D DNR
- Smart IR, up to 197(60 m) IR distance
- 4 in 1 video output (switchable TVI/AHD/CVI/CVBS)
- IK10, IP67
- OSD Menu via UTC technology with Platinum DVR

Specification

Camera	
Image Sensor	2 MP CMOS
Signal System	PAL/NTSC
Resolution	1920 (H) × 1080 (V)
Frame Rate	PAL: 1080p@25fps NTSC: 1080p@30fps
Min. Illumination	Color: 0.003 Lux @ (F1.2, AGC ON), 0 Lux with IR
Shutter Time	PAL: 1/25 s to 1/50, 000 s NTSC: 1/30 s to 1/50, 000 s
Slow Shutter	MAX. 16 times
Lens	2.7 mm to 13.5 mm motorized, auto focus
Horizontal Field of View	103° to 32.1°
Lens Mount	Φ14
Day & Night	ICR
WDR (Wide Dynamic Range)	≥ 130 dB
Angle Adjustment	Pan: 0° to 355°, Tilt: 0° to 75°, Rotate: 0° to 355°
Menu	
Image Mode	STD/HIGH-SAT
AGC	Yes
Day/Night Mode	Auto/Color/BW (Black and White)
White Balance	Auto/Manual
AE (Auto Exposure) Mode	WDR/BLC/HLC/Global
Privacy Mask	4 programmable privacy masks
Motion Detection	4 programmable motion areas
NR (Noise Reduction)	3D DNR/2D DNR
Language	English
Functions	Brightness, Sharpness, Mirror, Smart IR
Interface	
Video Output	Switchable TVI/AHD/CVI/CVBS
General	
Operating Conditions	-40 °C to 60 °C (-40 °F to 140 °F), humidity: 90% or less (non-condensing)
Power Supply	12 VDC ±25%, 24 VAC±25% <i>*You are recommended to use one power adapter to supply the power for one camera.</i>
Power Consumption	Max. 7.5W
Protection Level	IK10, IP67
Material	Metal
IR Range	Up to 197ft(60 m)
Dimensions	Φ 145.2 mm × 124.1 mm (Φ 7.1" × 4.9")
Weight	Approx. 640 g (1.41 lb.)

Dimension



Accessory



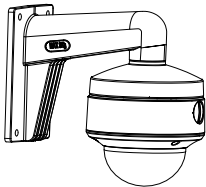
LTB301-CU
Wall Mount



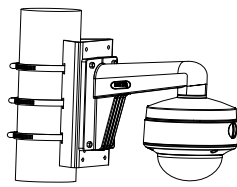
LTB378
Vertical Pole Mount



LTB379
Corner Mount



LTB342-140B
Wall Mount



LTB340
In-ceiling Mount

