

CMHT1722W-CF 2 MP Full Time Color Turret Camera



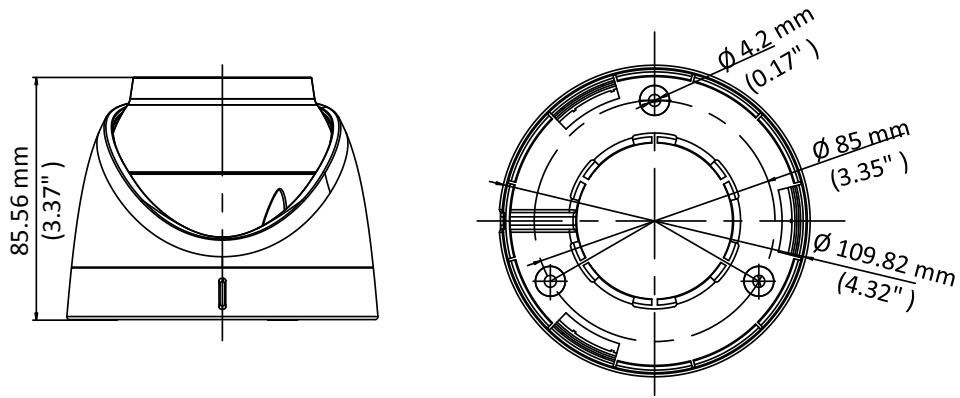
Key Features

- 2 MP high performance CMOS
- 1920 × 1080 resolution
- Full time color
- 3.6 mm fixed lens
- Up to 66ft(20 m) white light distance
- 3D DNR, true WDR
- 4 in 1 video output (switchable TVI/AHD/CVI/CVBS)
- IP67
- OSD menu via UTC technology with Platinum DVR

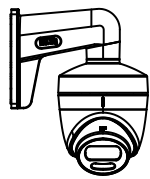
Specifications

Camera	
Image Sensor	2 MP CMOS image sensor
Resolution	1920 (H) × 1080 (V)
Frame Rate	PAL: 1080p@25fps NTSC: 1080p@30fps
Min. illumination	Color: 0.0005 Lux @ (F1.0, AGC ON), 0 Lux with white light
Shutter Time	PAL: 1/25 s to 1/50, 000 s NTSC: 1/30 s to 1/50, 000 s
Slow Shutter	Max. 16x
Lens	3.6 mm fixed lens
Horizontal Field of View	83.6° (3.6 mm)
Lens Mount	M16
Day & Night	Color
Angle Adjustment	Pan: 0° to 360°; Tilt: 0° to 75°; Rotate: 0° to 360°
Synchronization	Internal synchronization
WDR (Wide Dynamic Range)	120 dB
Menu	
AGC	Yes
White Balance	Auto/Manual
BLC (Backlight Compensation)	Yes
Privacy Mask	4 programmable privacy masks
Motion Detection	4 programmable areas
WDR	Yes
Functions	Brightness, Sharpness, 3D DNR, Mirror, Smart light
Interface	
Video Output	1 HD analog output
Switch Button	TVI/AHD/CVI/CVBS
General	
Operating Conditions	-40 °C to 60 °C (-40 °F to 140 °F), humidity: 90% or less (non-condensation)
Power Supply	12 VDC ±25%
Power Consumption	Max. 3 W
Protection Level	IP67
Material	Main Body: Metal, Mounting Base: Plastic
White Light	Up to 66ft(20 m)
Communication	Up the coax, TVI output
Dimensions	∅ 109.82 mm × 85.56 mm (∅ 4.32" × 3.37")
Weight	Approx. 336 g (0.74 lb.)

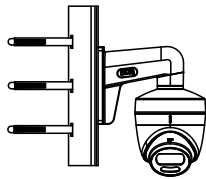
Dimension



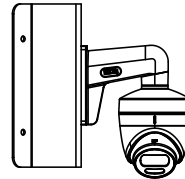
Accessory



LTB301-C
Wall Mount



LTB378
Vertical Pole Mount



LTB379
Corner Mount