

## CMHT1782-28F 8 MP 4-in-1 Turret Camera



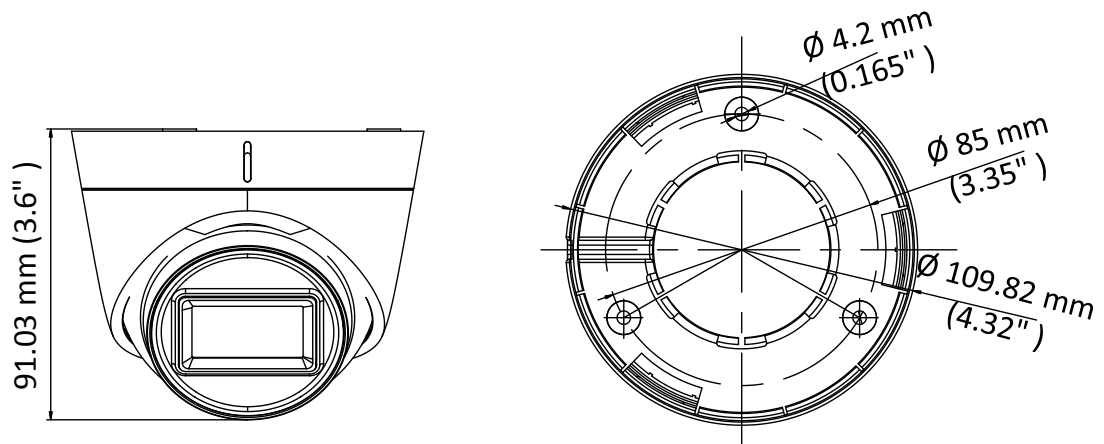
### Key Features

- 8.29 MP high performance CMOS
- 3840 × 2160 resolution
- 2.8 mm fixed lens
- Matrix IR 2.0, smart IR, up to 197ft(60 m) IR distance
- 4 in 1 video output (switchable TVI/AHD/CVI/CVBS)
- DWDR, DNR
- IP67
- OSD Menu via UTC technology with Platinum DVR

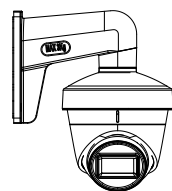
## Specification

<b>Camera</b>	
Image Sensor	8.29 megapixel progressive scan CMOS
Signal System	PAL/NTSC
Frame Rate	TVI: 8MP@12.5fps, 8MP@15fps, 5MP@20fps, 4MP@25fps, 4MP@30fps, 2MP@25fps, 2MP@30fps CVI: 8MP@12.5fps, 8MP@15fps AHD: 5MP@20fps CVBS: 960H P/N
Resolution	3840 (H) × 2160 (V)
Min. Illumination	Color: 0.01 Lux@(F1.2, AGC ON), 0 Lux with IR
Shutter Time	PAL: 1/12.5 s to 1/50,000 s NTSC: 1/15 s to 1/50,000 s
Lens	2.8 mm
Horizontal Field of View	102.2° (2.8 mm)
Lens Mount	M16
Day & Night	IR cut filter
Angle Adjustment (Bracket)	Pan: 0° to 360°, Tilt:0° to 75°, Rotate: 0° to 360°
Synchronization	Internal synchronization
DWDR (Digital Wide Dynamic Range)	105 dB
<b>Menu</b>	
AGC	Yes
Day/Night Mode	Auto/Color/BW (Black and White)
White Balance	Auto/Manual
BLC (Backlight Compensation)	Yes
Language	English
Functions	Brightness, Sharpness, DNR, Mirror, Smart IR
<b>Interface</b>	
Video Output	1 HD analog output
Switch Button	TVI/AHD/CVI/CVBS
<b>General</b>	
Operating Conditions	-40 °C to 60 °C (-40 °F to 140 °F), humidity: 90% or less (non-condensation)
Power Supply	12 VDC ±25%
Power Consumption	Max. 5.3 W
Protection Level	IP67
Material	Enclosure: Plastic Main body: Metal
IR Range	Up to 197ft(60 m)
Communication	Up the coax, TVI output
Dimensions	∅ 109.82 mm × 91.03 mm (∅ 4.32" × 3.6" )
Weight	Approx. 320 g (0.71 lb.)

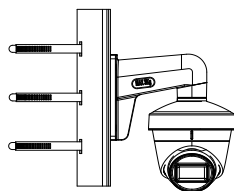
## Dimension



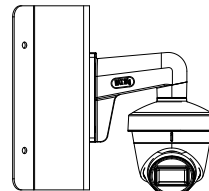
## Accessory



LTB301-C  
Wall Mount



LTB378  
Vertical Pole Mount



LTB379  
Corner Mount