

CMIP3263NW-SZ 6 MP IR Varifocal Turret Network Camera



Key Features

- 1/2.9" Progressive Scan CMOS
- 3072 × 2048@20fps
- 2.8 to 12 mm varifocal lens
- Color: 0.018 Lux @ (F1.6, AGC ON), 0 Lux with IR
- H.265+, H.265, H.264+, H.264
- Three streams
- 2 Behavior analyses
- 120dB WDR
- BLC/3D DNR/ROI/HLC
- IP67, IK10
- Built-in micro SD/SDHC/SDXC card slot, up to 128 GB
- 3-Axis adjustment
- IR range: Up to 98ft(30 m)
- Anti-IR reflection

Specifications

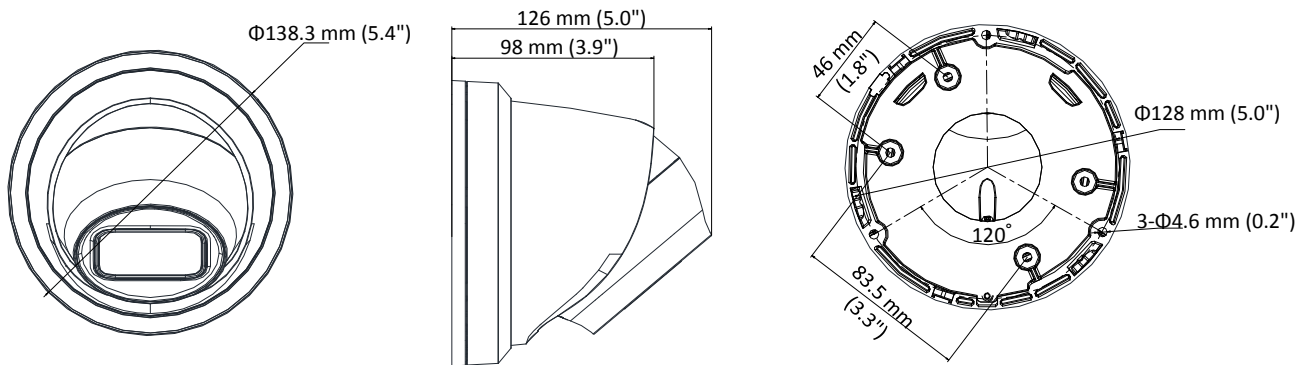
| Camera | |
|---|--|
| Image Sensor | 1/2.9" Progressive Scan CMOS |
| Min. Illumination | Color: 0.018 Lux @ (F1.6, AGC ON), 0 Lux with IR |
| Shutter Speed | 1/3 s to 1/100,000 s |
| Slow Shutter | Yes |
| Day & Night | IR Cut Filter |
| WDR | 120dB |
| Angle Adjustment | Pan: 0° to 355°, tilt: 0° to 75°, rotate: 0° to 355° |
| Lens | |
| Lens Type | Varifocal lens, motorized lens , 2.8 to 12 mm |
| Auto-Iris | No |
| Aperture | F1.6 |
| FOV | Horizontal FOV: 88° to 27°, vertical FOV: 56° to 18°, diagonal FOV: 110° to 33° |
| Lens Mount | Ø14 |
| Illuminator | |
| IR Range | Up to 98ft(30 m) |
| Wavelength | 850nm |
| Video | |
| Max. Resolution | 3072 × 2048 |
| Main Stream | 50Hz: 20fps (3072 × 2048, 3072 × 1728, 2944 × 1656), 25fps (2560 × 1440, 1920 × 1080, 1280 × 720) 60Hz: 20fps (3072 × 2048, 3072 × 1728, 2944 × 1656), 30fps (2560 × 1440, 1920 × 1080, 1280 × 720) |
| Sub-Stream | 50Hz: 25fps (640 × 480, 640 × 360, 320 × 240) 60Hz: 30fps (640 × 480, 640 × 360, 320 × 240) |
| Third Stream | 50Hz: 25fps (1280 × 720, 640 × 360, 352 × 288) 60Hz: 30fps (1280 × 720, 640 × 360, 352 × 240) |
| Video Compression | Main stream/third stream: H.265/H.264 Sub-stream: H.265/H.264/MJPEG |
| H.264 Type | Main Profile/High Profile |
| H.264+ | Main stream supports |
| H.265 Type | Main Profile |
| H.265+ | Main stream supports |
| Video Bit Rate | 32 Kbps to 16 Mbps |
| Scalable Video Coding (SVC) | H.264 and H.265 encoding |
| * Note: When the main stream resolution is 2944 × 1656 and above, max frame rate is 20 fps for all streams. | |
| Audio | |
| Audio Compression | G.711/G.722.1/G.726/MP2L2/PCM |
| Audio Bit Rate | 64Kbps(G.711)/16Kbps(G.722.1)/16Kbps(G.726)/32-192Kbps(MP2L2) |
| Environment Noise Filtering | Yes |
| Audio Sampling Rate | 8 kHz/16 kHz/32 kHz/44.1 kHz/48 kHz |

| Smart Feature-set | |
|--------------------------|--|
| Smart Event | Line crossing detection, intrusion detection |
| Basic Event | Motion detection, video tampering alarm, exception (network disconnected, IP address conflict, illegal login, HDD full, HDD error) |
| Face Detection | Yes |
| Linkage Method | Upload to FTP/NAS/memory card, notify surveillance center, send email, trigger alarm output, trigger recording, trigger capture |
| Region of Interest | 1 fixed region for main stream and sub-stream |
| Image | |
| Image Enhancement | BLC/3D DNR/HLC |
| Image Settings | Saturation, brightness, contrast, sharpness and white balance adjustable by client software or web browser |
| Day/Night Switch | Day/Night/Auto/Schedule/Triggered by Alarm In |
| Network | |
| Network Storage | microSD/SDHC/SDXC card (128 G), local storage and NAS (NFS, SMB/CIFS), ANR |
| Protocols | TCP/IP, ICMP, HTTP, HTTPS, FTP, DHCP, DNS, DDNS, RTP, RTSP, RTCP, PPPoE, NTP, UPnP™, SMTP, SNMP, IGMP, 802.1X, QoS, IPv6, UDP, Bonjour, TLS, SSL |
| API | ONVIF (PROFILE S, PROFILE G), ISAPI, SDK |
| Security | Password protection, HTTPS encryption, 802.1X authentication (EAP-MD5), watermark, IP address filter, basic and digest authentication for HTTP/HTTPS, WSSE and digest authentication for ONVIF, RTP/RTSP over HTTPS, complicated password, anti-crack password protection |
| Simultaneous Live View | Up to 6 channels |
| User/Host | Up to 32 users, 3 levels: Administrator, Operator and User |
| Web Browser | Plug-in required live view: IE8+, Chrome 41.0-44, Firefox 30.0-51, Safari 8.0-11 Plug-in free live view: Chrome 45.0+, Firefox 52.0+ |
| Interface | |
| Communication Interface | 1 RJ45 10M/100M self-adaptive Ethernet port |
| Audio | 1 input (line in), 1 output (line out), four-core terminal block, mono sound |
| Alarm | 1 input, 1 output |
| Video Output | No |
| Interface Style | Pigtail style interface |
| On-board storage | Built-in Micro SD/SDHC/SDXC slot, up to 128 GB |
| General | |
| Web Client Language | 32 languages English, Russian, Estonian, Bulgarian, Hungarian, Greek, German, Italian, Czech, Slovak, French, Polish, Dutch, Portuguese, Spanish, Romanian, Danish, Swedish, Norwegian, Finnish, Croatian, Slovenian, Serbian, Turkish, Korean, Traditional Chinese, Thai, Vietnamese, Japanese, Latvian, Lithuanian, Portuguese (Brazil) |
| General Function | Anti-flicker, three streams, heartbeat, mirror, regions of privacy mask, flash log, password reset via e-mail |
| Reset | Reset via reset button on camera body, web browser and client software |

| | |
|----------------------------------|---|
| Startup and Operating Conditions | -30 °C to +60 °C (-22 °F to +140 °F), Humidity 95% or less (non-condensing) |
| Storage Conditions | -30 °C to +60 °C (-22 °F to +140 °F), Humidity 95% or less (non-condensing) |
| Power Supply | 12 VDC ± 25%, Ø 5.5 mm coaxial power plug PoE (802.3af, class 3) |
| Power Consumption and Current | 12 VDC, 0.92 A, max. 11 W PoE (802.3af, 36 V to 57 V), 0.35 A to 0.22 A, max. 12. 5W |
| Material | Metal |
| Dimensions | Camera: Ø 138.3 × 126 mm (Ø 5.4" × 5.0") With Package: 170 × 170 × 150 mm (6.7" × 6.7" × 5.9") |
| Weight | Camera: Approx. 1.20 kg (2.65 lb.) With Package: Approx. 1.42 kg (3.13 lb.) |
| Approval | |
| EMC | 47 CFR Part 15, Subpart B; EN 55032: 2015, EN 61000-3-2: 2014, EN 61000-3-3: 2013, EN 50130-4: 2011 +A1: 2014; AS/NZS CISPR 32: 2015; ICES-003: Issue 6, 2016; KN 32: 2015, KN 35: 2015 |
| Safety | UL 60950-1, IEC 60950-1:2005 + Am 1:2009 + Am 2:2013, EN 60950-1:2005 + Am 1:2009 + Am 2:2013, IS 13252(Part 1):2010+A1:2013+A2:2015 |
| Chemistry | 2011/65/EU, 2012/19/EU, Regulation (EC) No 1907/2006 |
| Protection | Ingress protection: IK10 (IEC 62262:2002), IP67 (IEC 60529-2013) |

Note: Listed resolutions are only selectable options. It does not mean that all streams can work at their maximum resolution at the same time.

Dimension



Accessory



LTB301-CU
Wall Mount



LTB378
Pendant Mount



LTB307
Junction Box