

CMIP3C42W-AIM28 4 MP Full Color Fixed Turret Network Camera with AI



Key Features

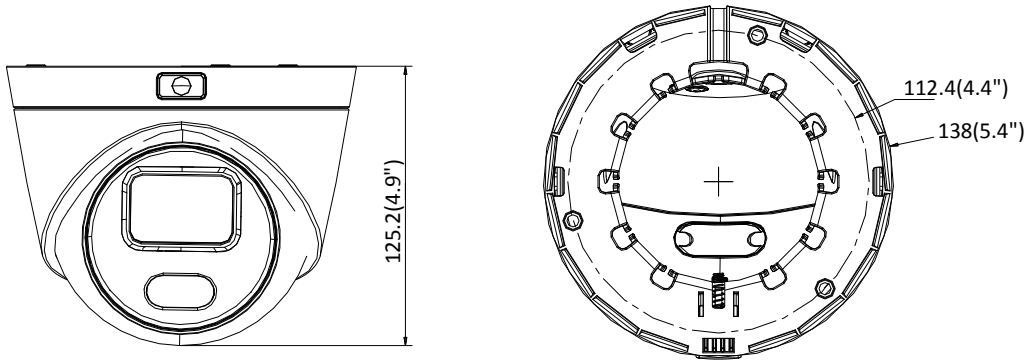
- Max. 2688 × 1520 @25fps
- 2.8mm fixed lens
- H.265+, H.264+
- 130dB WDR
- False alarm filter by target classification
- 0.0005 @ F1.0 (1/30 s, AGC ON),
0 Lux with LED on
- 12 VDC & PoE (802.3af, class 3)
- Supports on-board storage, up to 256GB
- IP66
- BLC/3D DNR/HLC/Defog
- 24-hour colorful video
- Built in microphone

Specification

Camera	
Image Sensor	1/1.8" Progressive Scan CMOS
Min. Illumination	0.0005 @ F1.0 (1/30 s, AGC ON), 0 Lux with LED on
Shutter Speed	1/3 s to 1/100,000 s
Slow Shutter	Yes
Focal length	2.8 mm
Focus	Fixed
Aperture	F1.0
FOV	2.8 mm, horizontal FOV: 109°, vertical FOV: 55°, diagonal FOV: 138°
Lens Mount	M16
Auto-Iris	No
DNR	3D DNR
Wide Dynamic Range	130dB
3-Axis Adjustment	Pan: 0° to 355°, tilt: 0° to 75°, rotate: 0° to 355°
Compression Standard	
Video Compression	Main stream: H.265/H.264 Sub stream: H.265/H.264/MJPEG Third stream: H.265/H.264
H.264 Type	Baseline Profile/Main Profile/High Profile
H.264+	Main stream supports
H.265 Type	Main Profile
H.265+	Main stream supports
Video Bit Rate	32 Kbps to 8 Mbps
Image	
Max. Resolution	2688 × 1520
Main Stream	50Hz: 25fps (2688 × 1520, 1920 × 1080, 1280 × 720) 60Hz: 30fps (2688 × 1520), 30fps (2304 × 1296, 1920 × 1080, 1280 × 720)
Sub Stream	50Hz: 25fps (640 × 480, 640 × 360, 320 × 240) 60Hz: 30fps (640 × 480, 640 × 360, 320 × 240)
Third stream	50Hz: 25fps (1280 × 720, 640 × 480, 640 × 360, 352 × 288, 320 × 240) 60Hz: 30fps (1280 × 720, 640 × 480, 640 × 360, 352 × 288, 320 × 240)
Image Enhancement	BLC/3D DNR/HLC/Defog
Image Settings	Rotate mode, saturation, brightness, contrast, sharpness, AGC, white balance adjustable by client software or web browser
ROI (Region of Interest)	No
Network	
Network Storage	Support micro SD/SDHC/SDXC card (256G) local storage, NAS (NFS,SMB/CIFS), ANR
Alarm Trigger	Motion detection, video tampering detection, network disconnected, IP address conflict, illegal login, HDD full, HDD error
Protocols	TCP/IP, ICMP, HTTP, HTTPS, FTP, DHCP, DNS, DDNS, RTP, RTSP, RTCP, PPPoE, NTP, UPnP, SMTP, SNMP, IGMP, 802.1X, QoS, IPv6, UDP, Bonjour, SSL/TLS, PPPoE
General Function	One-key reset, three streams, heartbeat, mirror, password protection, privacy mask, watermark, IP address filter
API	ONVIF (PROFILE S, PROFILE G, Profile T), ISAPI

Audio	
Audio Compression	G.711/G.722.1/G.726/MP2L2/PCM/MP3
Audio Bit Rate	64Kbps(G.711)/16Kbps(G.722.1)/16Kbps(G.726)/32-192Kbps(MP2L2)/8Kbps-320Kbps (MP3)
Environment Noise Filtering	Yes
Audio Sampling Rate	8 kHz/16 kHz/32 kHz/44.1 kHz/48 kHz
Simultaneous Live View	Up to 6 channels
User/Host	Up to 32 users 3 levels: Administrator, Operator and User
Web Browser	IE8+, Chrome 41.0-44, Firefox 30.0-51, Safari 8.0+
Interface	
Communication Interface	1 RJ45 10M/100M self-adaptive Ethernet port
On-board Storage	Built-in micro SD/SDHC/SDXC slot, up to 256 GB
Reset Button	Yes
SVC	H.265 encoding and H.264 encoding support
Smart Feature-set	
Behavior Analysis	Line crossing detection, intrusion detection, region entrance detection, region exiting
General	
Operating Conditions	-30 °C to +60 °C (-22 °F to +140 °F), humidity 95% or less (non-condensing)
Power Supply	12 VDC ± 25%, 5.5 mm coaxial power plug PoE (802.3af, class 3)
Power Consumption	12 VDC, 0.55 A, max: 6.5 W PoE: (802.3af, 36 V to 57 V), 0.22 A to 0.13 A, max: 7.6W
Visible Light Range	Warm white LEDs (3000K) up to 98ft(30m)
Protection Level	IP66
Material	Camera body: Front cover: plastic, back cover: metal Bottom base: plastic
Dimensions	Camera: $\Phi 138.3 \times 125.2$ mm ($\Phi 5.4'' \times 4.9''$)
Weight	Camera: 820 g (1.8 lb.)

Dimensions



Unit: mm

Accessories



LTB301-CU
Wall mount



LTB701
Junction box