

## CMIP6H22W-2 2MP People Counting Camera



### Key Features

Dual-Lens 2MP people counting camera adopts 1/2.7" progressive scan CMOS chip. Supporting advanced built in technology enabling the separate counting of people entering, exiting and passing by a given field.

- 1/2.7" Progressive Scan CMOS
- Up to 1920 x 1080 Resolution
- 2 mm Fixed Lens
- H.265+, H.265, H.264+, H.264
- 3D Digital Noise Reduction
- 12 VDC, PoE (802.3af), 8 W

### CMP6H22W-2

#### Camera

Image Sensor	1/2.7" progressive scan CMOS
Minimum Illumination	Color: 0.0176 lux @ (f/2.25, AGC on), B/W: 0.0035 lux @ (f/2.25, AGC on)
Shutter Speed	1/25 s to 1/100,000 s
Day/Night	IR cut filter
WDR	Digital WDR

#### Lens

Focal Length	2 mm fixed lens
Aperture	f/2.25
FOV	Horizontal FOV: 104.5°, vertical FOV: 70.5°, diagonal FOV: 112°
Lens Mount	M12

#### IR

IR Range	Up to 20 ft (6 m)
Wavelength	850 nm

#### Video

Maximum Resolution	1920 x 1080
Main Stream	30 fps (1920 x 1080, 1280 x 720)
Sub Stream	30 fps (704 x 480, 640 x 480)
Video Compression	Main stream: H.265+/H.265/H.264+/H.264, sub stream: H.265/H.264/MJPEG
H.264 Type	Baseline profile/main profile/high profile
H.264+	Main stream supported
H.265 Type	Main profile
H.265+	Main stream supported
Video Bit Rate	32 kbps to 16 mbps
SVC	H.265 and H.264 supported

#### Audio

Audio Compression	6.711/6.722.1/6.726/MP2L2/PCM
Audio Bit Rate	64 kbps [6.711]/16 kbps [6.722.1]/16 kbps [6.726]/32 to 160 kbps [MP2L2]
Environment Noise Filtering	Yes
Audio Sampling Rate	8 kHz/16 kHz/32 kHz/44.1 kHz/48 kHz

#### Smart Features

Basic Events	Motion detection, video tampering alarm, exception (network disconnected, IP address conflict, illegal login, HDD full, HDD error)
People Counting monthly	Separately counts people entering and exiting a specified area. Supports real-time uploading and uploading by statistical cycle. Sends daily, weekly, or annual email reports. Supports target filtering by height.
Linkage Method	Upload to FTP/NAS, notify surveillance center, send email, trigger alarm output, trigger recording, trigger capture
Region of Interest	Four fixed regions for main stream and sub-stream

#### Image

Image Enhancement	HLC, BLC, 3D DNR, defog
Image Setting	Saturation, brightness, contrast, sharpness are adjustable by client software or web browser
Day/Night Switch	Day/night/auto/schedule/triggered by alarm input
Picture Overlay	Logo picture can be overlaid on video with a 128 x 128 24 bit bmp format

#### Network

Protocols	TCP/IP, ICMP, HTTP, HTTPS, FTP, DHCP, DNS, DDNS, RTP, RTSP, RTCP, PPPoE, NTP, UPnP, SMTP, SNMP, IGMP, 802.1X, QoS, IPv6, UDP, Bonjour, SSL/TLS
API	ONVIF (PROFILE S, PROFILE G), ISAPI, SDK, Ehome (5.0)
Security	Password protection, complicated password, HTTPS encryption, 802.1X authentication (EAP-TLS, EAP-LEAP, EAP-MD5), watermark, IP address filter, basic digest authentication for HTTP/HTTPS, WSSE and digest authentication for ONVIF, RTP/RTSP over HTTPS, control timeout settings, security audit log
Simultaneous Live View	Up to 20 channels
User/Host	Up to 32 users. 3 user levels: administrator, operator and user
Client	NVMS-V3, LTS-Connect
Web Browser	IE 8+, Chrome 41.0-44, Mozilla Firefox 30.0-51, Safari 8.0-11

#### Interface

Communication Interface	1 RJ-45 10M/100M Ethernet port, 1 RS-485 interface (half duplex, Pelco-P, Pelco-D, self-adaptive)
Audio	1 built-in microphone, 1 input (line in, two-core terminal block), 1 output (two-core terminal block), mono sound
Alarm	1 input, 1 output (maximum 24 VDC, 1 A)

#### Standards

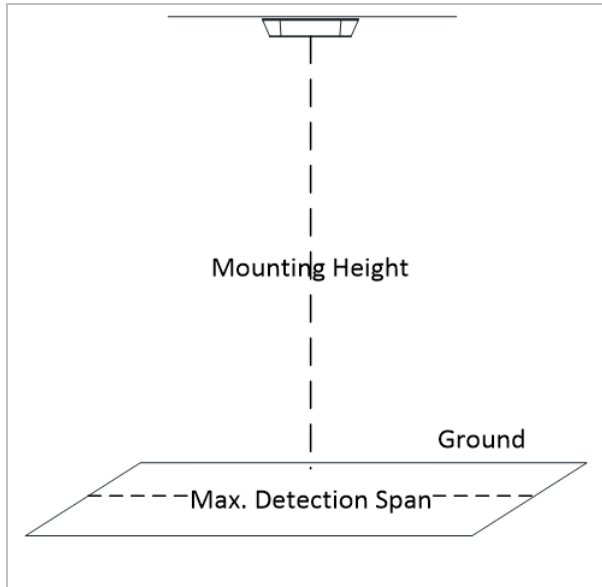
EMC	47 CFR Part 15, Subpart B; EN 55032: 2015, EN 61000-3-2: 2014, EN 61000-3-3: 2013, EN 50130-4: 2011 +A1: 2014; AS/NZS CISPR 32: 2015; ICES-003: Issue 6, 2016; KN 32: 2015, KN 35: 2015
Safety	UL 60950-1, IEC 60950-1:2005 + Am 1:2009 + Am 2:2013, EN 60950-1:2005 + Am 1:2009 + Am 2:2013, IS 13252(Part 1):2010+A1:2013+A2:2015
Environment Protection	2011/65/EU, 2012/19/EU, Regulation (EC) No 1907/2006
IP67	-

#### General

General Function	Anti-flicker, heartbeat, mirror, password protection, watermark, IP address filter
Startup and Operating Conditions	-22° F to 113° F (-30° C to 45° C), humidity 95% or less (non-condensing)
Storage Conditions	-22° F to 140° F (-30° C to 60° C), humidity 95% or less (non-condensing)
Power Supply	12 VDC ± 20 %, reverse polarity protection, Ø5.5 mm coaxial power plug, 12 VDC, PoE (36 to 57 VDC, 802.3af), Class 3
Power Consumption	12 VDC, 0.66 A, maximum 8 W, PoE (802.3 af, 36 to 57 VDC), 0.23 A to 0.14 A, maximum 8.3 W
Material	Front cover: plastic, camera body: metal
Dimensions	6.6" x 2.4" x 1.6" (168 mm x 61 mm x 41 mm)

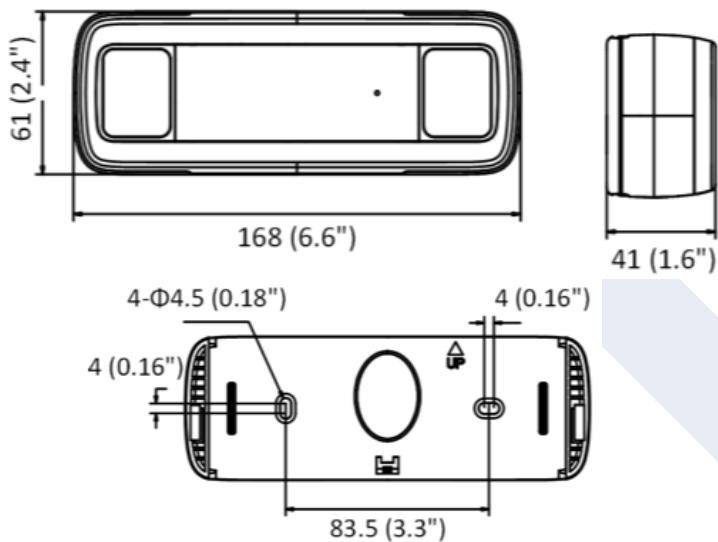
## Installation Recommendation

The following table shows the relations among focal length, mounting height, and maximum detection span of typical values. For detailed installation advice, please contact Hikvision technical support.



Focal Length (mm)	Mounting Height (m)	Max. Detection Span (m)
2.0	2.1	1.02
2.0	2.6	2.30
2.0	3.1	3.58
2.0	3.6	4.86
2.0	4.1	6.14
2.0	4.6	5.50
2.0	5.1	6.45
2.0	5.6	7.40
2.0	6.0	8.16

## Dimensions



**2021 LT Security, Inc. All Rights Reserved. White papers, data sheets, quick start guides, and/or user manuals are for reference only and may or may not be entirely up to date or accurate based upon the version or models. Product names mentioned herein may be the unregistered and/or registered trademarks of their respective owners**