

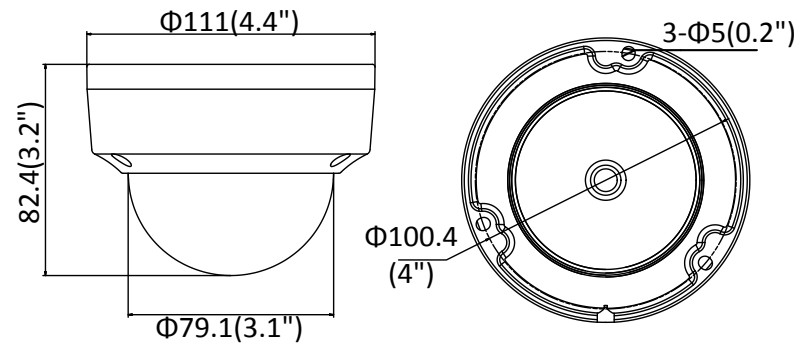
Platinum 6.3MP Network Matrix IR Dome Camera CMIP7362W-28M



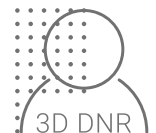
Key Features:

- 6.3MP High Definition
- True 120dB Wide Dynamic Range
- 3D DNR, BLC, Intelligent H.265+, H.265, H.264 Zip+, H.264
- Built-in micro SD/SDHC/SDXC card slot, up to 128 GB
- High performance Matrix IR LED
- IP67, IK10
- DC 12V/ PoE

Dimensions:



WDR
120dB



Platinum 6.3MP Network Matrix IR Dome Camera

CMIP7362W-28M

CAMERA	
Image Sensor	1/2.9" Progressive Scan CMOS
Min. Illumination	Color: 0.01 Lux @ (F1.2, AGC ON), 0.028 Lux @ (F2.0, AGC ON), 0 Lux with IR
Shutter Speed	1/3 s to 1/100,000 s
Lens	2.8 mm, horizontal FOV: 97° , vertical FOV: 63° , diagonal FOV: 120°
Lens Mount	M12
Day & Night	IR cut filter
DNR	3D DNR
Wide Dynamic Range	120dB
Angle Adjustment	Pan: 0° to 355° , tilt: 0° to 75° , rotate: 0° to 355°
Compression Standard	
Video Compression	Main stream: H.265/H.264 Sub stream: H.265/H.264/MJPEG Third stream: H.265/H.264
H.264 Type	Main Profile/High Profile
H.264 Zip+	Main stream support
H.265 Type	Main Profile
H.265+	Main stream support
Video Bit Rate	32 Kbps ~ 16 Mbps
Image	
Max. Resolution	3072 × 2048
Main Stream	50Hz: 20 fps (3072 × 2048, 3072 × 1728, 2944 × 1656), 25 fps (2560 × 1440, 1920 × 1080, 1280 × 720) 60Hz: 20 fps (3072 × 2048, 3072 × 1728, 2944 × 1656), 30fps (2560 × 1440, 1920 × 1080, 1280 × 720)
Sub Stream	50Hz: 25fps (640 × 480, 640 × 360, 320 × 240) 60Hz: 30fps (640 × 480, 640 × 360, 320 × 240)
Third Stream	50Hz: 25fps (1280 × 720, 640 × 360, 352 × 288) 60Hz: 30fps (1280 × 720, 640 × 360, 352 × 240)
Image Enhancement	BLC/3D DNR
Behavior Analysis	Line crossing detection, intrusion detection
Face Detecti	Yes
ROI	1 fixed region for main stream and sub-stream
Image Settings	Rotate mode, saturation, brightness, contrast, sharpness adjustable by client software or web browser
Target Cropping	No
Day/Night Switch	Day/Night/Auto/Scheduled
Network	
Network Storage	Support microSD/SDHC/SDXC card (128G), local storage and NAS (NFS,SMB/CIFS), ANR
Alarm Trigger	Motion Detection, Tampering Alarm, Network Disconnected, IP Address Conflict, Illegal Login, HDD full, HDD error
Protocols	TCP/IP,ICMP,HTTP,HTTPS,FTP,DHCP,DNS,DDNS,RTP,RTSP,RTCP,PPPoE,NTP,UPnP™,SMTP,SNMP, IGMP,802.1X,QoS,IPv6, Bonjour
Standard	ONVIF(PROFILE S,PROFILE G),ISAPI
General Function	One-key reset, anti-flicker, three streams, heartbeat, mirror, password protection, privacy mask, watermark, IP address filter

Platinum 6.3MP Network Matrix IR Dome Camera CMIP7362W-28M

Simultaneous Live View	Up to 6 channels
User/Host	Up to 32 users, 3 levels: Administrator, Operator and User
Interface	
Video Output	No
Communication Interface	1 RJ45 10M/100M self-adaptive Ethernet port
On-board Storage	Built-in microSD/SDHC/SDXC slot, up to 128 GB
SVC	H.264 and H.265 encoding
Reset Button	Yes
Audio	
Environment Noise Filtering	Yes
Audio Sampling Rate	8 kHz/16 kHz/32 kHz/44.1 kHz/48 kHz
General	
Operating Conditions	-22 ° F ~ +140 ° F (-30 ° C ~ +60 ° C) Humidity 95% or less (non-condensing)
Power Supply	12 VDC ± 25%, Ø 5.5 mm coaxial power plug PoE (802.3af, class 3)
Power Consumption and Current	12 VDC, 0.6A, max. 7.5W PoE (802.3af, 36V to 57V), 0.3A to 0.2A, max. 9W
IR Range	Up to 100ft(30m)
Protection Level	IP67, IK10
Dimensions	4.4" × 3.2" (Ø 111 × 82.4 mm)
Weight	1.1 lb. (500 g)