

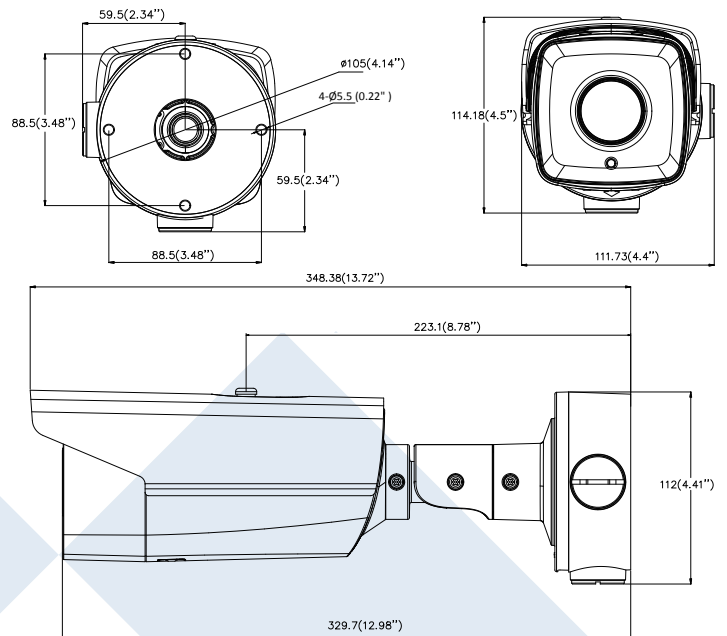
# Platinum 2 MP LPR Ultra-Low Light Bullet Camera CMIP7923LPR-32R



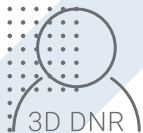
## Key Features:

- 1/1.8" Progressive Scan CMOS
- 1920 × 1080 @ 60fps
- Ultra-low light
- Auto-iris
- 120dB WDR
- 128 G microSD/SDHC/SDXC card storage
- Long Distance IR
- Support defog, BLC, EIS, 3D DNR
- IP67

## Dimensions:



**WDR**  
120dB



# Platinum 2 MP LPR Ultra-Low Light Bullet Camera CMIP7923LPR-32R

CAMERA	
Image Sensor	1/1.8" Progressive Scan CMOS
Min. Illumination	Color: 0.002 Lux @ (F1.2, AGC ON), 0.0027 Lux @ (F1.4, AGC ON), 0 Lux with IR
Shutter Speed	1 s to 1/100,000 s, supports slow shutter
Lens	8 mm to 32 mm, F1.6, horizontal field of view: 42° to 13.5°
Auto-iris	DC drive
Day & Night	IR cut filter with auto switch
DNR	3D DNR
Wide Dynamic Range(WDR)	120dB
Compression Standard	
Video Compression	H.264 / MJPEG/H.264 Zip+
H.264 Type	Baseline Profile/Main Profile/High Profile
Video Bit Rate	32 Kbps ~ 16 Mbps
Audio Compression	G.711/G.722.1/G.726/MP2L2
Audio Bit rate	64Kbps(G.711) / 16Kbps(G.722.1) / 16Kbps(G.726) / 32-128Kbps(MP2L2)
Image	
Max. Resolution	1920 × 1080
Frame Rate	60Hz: 60fps (1920 × 1080, 1280 × 960, 1280 × 720) 50Hz: 50fps(1920 × 1080, 1280 × 960, 1280 × 720)
Image Setting	Rotate Mode, Saturation, Brightness, Contrast, Sharpness adjustable by client software or web browser
Image Enhancement	BLC /3D DNR/Defog/EIS
Day/Night Switch	Auto/Schedule/Triggered by Alarm In (-S)
ROI Codec	Support 4 fixed region for each stream, and dynamic tracking
Network	
Network Storage	Support microSD/SDHC/SDXC card (128G), local storage and NAS (NFS,SMB/CIFS), ANR
Alarm Trigger	Road traffic, motion detection, video tampering alarm, network disconnected, IP address conflict, illegal login, HDD full, HDD error
Protocols	TCP/IP, UDP, ICMP, HTTP, HTTPS, FTP, DHCP, DNS, DDNS, RTP, RTSP, RTCP, PPPoE, NTP, UPnP, SMTP, SNMP, IGMP, 802.1X, QoS, IPv6, Bonjour
General	One-key reset, anti-flicker, three streams, heartbeat, password protection, privacy mask, watermark, IP address filter, mirror
Standard	ONVIF (profile S, profile G), ISAPI
Interface	
Communication Interface	1 RJ45 10M/100M Ethernet port
Audio (-S)	With -S model: 1 audio input(line in/mic in), 1 audio output
Alarm (-S)	With -S model: 1 input, 1 output
Video Output	1Vp-p composite output (75 Ω/BNC)
On-board storage	Built-in Micro SD/SDHC/SDXC slot, up to 128GB
Reset	Yes

# Platinum 2 MP LPR Ultra-Low Light Bullet Camera CMIP7923LPR-32R

Road Traffic and Vehicle Detection	
Accuracy	European and Russian-Speaking Regions: Capture Rate > 99%, Recognition Rate > 98%
Vehicle Speedcy	Support vehicle speed under 120 km/h (74.6 mi/h)
Line number	Up to 4 lines supported. Recommended to set 1 or 2 lines for best performance
Direction	Support capture and recognition of vehicles both approaching and leaving
Whitelist and Blacklist	Up to 2048
Environment Noise Filtering	Support
General	
Working Temperature /Humidity	-22 °F ~ 140°F (-30 °C ~ 60 °C) Humidity 95% or less (non-condensing)
Power Supply	DC12V ±10%, PoE (802.3at, class 4)
Power Consumption	12 VDC, max. 13.3 W, 1.2 A; PoE, max. 17.6 W, 0.3 A to 0.5 A
IR	850 nm IR , up to 164ft(50 m) for 2.8 to 12 mm lens, up to 328ft(100 m) for 8 to 32 mm lens
Weather Proof Ratings	IP67
Dimensions	13.72" × 4.5" × 4.4" (348.38 × 114.18 × 111.73 mm)
Weight	4.57 lbs ( 2075 g)