

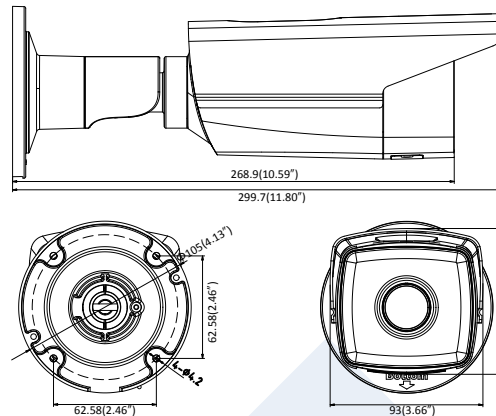
# Platinum 5.0MP Network Matrix IR Bullet Camera CMIP9352W-28



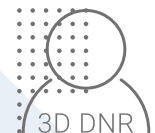
## Key Features:

- 5.0MP High Definition
- True 120dB Wide Dynamic Range
- 3D DNR,BLC,Intelligent H.264 Zip+, H.265,H.265+
- High performance Matrix IR LED
- IP67
- DC 12V/ PoE

## Dimensions:



**WDR**  
120dB



# Platinum 5.0MP Network Matrix IR Bullet Camera

## CMIP9352W-28

CAMERA	
Image Sensor	1/2.9" Progressive Scan CMOS
Min. Illumination	0.01Lux @ (F1.2, AGC ON), 0 Lux with IR
Shutter Speed	1/3 s to 1/100,000 s
Lens	2.8mm, Angle of view:81°
Lens Mount	M12
Day & Night	IR cut filter with auto switch
DNR	3D DNR
Wide Dynamic Range	120dB
Angle Adjustment	Pan:0° ~ 360°, Tilt: 0° ~ 100°, Rotation: 0° ~ 360°
Compression Standard	
Video Compression	Main stream: H.265/H.264 Sub stream: H.265/H.264/MJPEG Third stream: H.265/H.264
H.264 Type	Main Profile/High Profile
H.264 Zip+	Support
H.265 Type	Main Profile
H.265+	Support
Video Bit Rate	32 Kbps ~ 16 Mbps
Image	
Max. Resolution	2560 × 1920
Main Stream	50Hz: 20 fps (2560 × 1920), 25 fps (2560 × 1440, 2048 × 1536, 1920 × 1080, 1280 × 720) 60Hz: 20 fps (2560 × 1920), 30 fps (2560 × 1440, 2048 × 1536, 1920 × 1080, 1280 × 720)
Sub Stream	50Hz: 25fps (640 × 360, 352 × 288) 60Hz: 30fps (640 × 360, 352 × 240)
Third Stream	50Hz: 25fps (1280 × 720) 60Hz: 30fps (1280 × 720)
Image Enhancement	BLC/3D DNR
ROI	Support 1 fixed region for each stream, and face dynamic tracking
Image Settings	Support rotate mode. Brightness, contrast, saturation, and sharpness are adjustable via web browser and client software
Target Cropping	Support
Day/Night Switch	Auto/Scheduled
Network	
Network Storage	Support microSD/SDHC/SDXC card (128G), local storage and NAS (NFS,SMB/CIFS), ANR
Alarm Trigger	Motion Detection, Tampering Alarm, Network Disconnected, IP Address Conflict, Illegal Login, HDD full, HDD error
Protocols	TCP/IP, UDP, ICMP, HTTP, HTTPS, FTP, DHCP, DNS, DDNS, RTP, RTSP, RTCP, PPPoE, NTP, UPnP, SMTP, SNMP, IGMP, 802.1X, QoS, IPv6
Standard	ONVIF (PROFILE S, PROFILE G), PSIA, CGI, ISAPI
General Function	One-key Reset, Anti-Flicker, Heartbeat, Mirror, Password Protection, Privacy Mask, Watermark, IP Address Filter

# Platinum 5.0MP Network Matrix IR Bullet Camera CMIP9352W-28

Interface	
Communication Interface	1 RJ45 10M/100M self-adaptive Ethernet port
On-board Storage	Built-in microSD/SDHC/SDXC slot, up to 128 GB
General	
Operating Conditions	-22 ° F ~ +140 ° F (-30 ° C ~ +60 ° C) Humidity 95% or less (non-condensing)
Power Supply	DC 12V ± 25%, PoE(802.3af)
IR Range	Up to 165ft(50m)
Protection Level	IP67
Dimensions	Φ4.13" × 11.80" (Φ105 × 299.7 mm)
Weight	2.7 lb. (1200 g)