

### Secure Access, One Press Away

This durable and compact exit button features a brushed aluminum alloy faceplate and a green mechanical push button. With a self-resetting design and clear "PRESS TO EXIT" labeling, it's ideal for various access control systems. Suitable for offices, buildings, and secure zones, it offers long-lasting performance and easy installation.

#### At a Glance

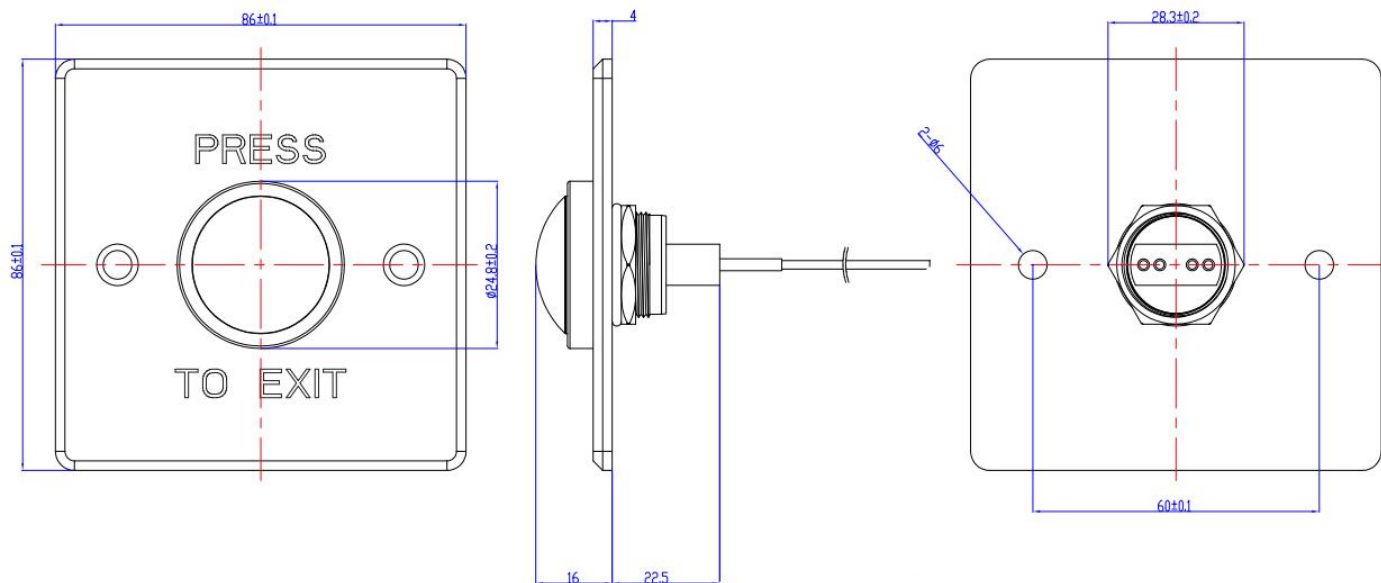
- **Durable Design** – Brushed Aluminum Alloy panel with high-strength mechanical button
- **Self-Resetting** – Momentary switch that returns automatically after each press
- **Clear Labeling** – "PRESS TO EXIT" for intuitive operation
- **Wide Compatibility** – Supports NO/NC output for most access control systems
- **Compact Size** – 86 × 86 × 33.5 mm (±3 mm), fits standard electrical boxes



### Specifications

- Dimension: 86 mm (L) × 86 mm (W) × 33.5 mm (H)
- Material: 4mm Aluminum Alloy panel with high-strength mechanical button
- Operating Voltage: DC 12V
- Rated Current: 2A
- Voltage Regulation: Built-in dropper resistor
- Switch Type: Momentary (self-resetting)
- Operating Temperature: -20°C to +50°C
- Storage Temperature: -20°C to +65°C
- Operating Humidity: 10%–90% RH
- Impact Protection Rating: IK10
- Environmental Compliance: RoHS, REACH, Halogen Free

**Product size:**



**Packing size:**

Unit Box: 130\*90\*68mm

Shipping Carton: 483\*305\*225 mm

40pcs/Carton