

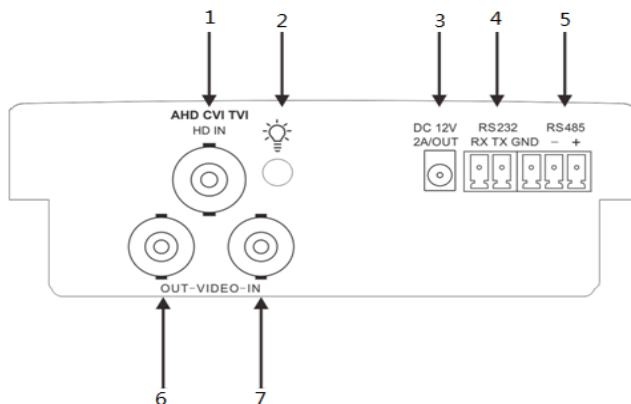
# Multi-purpose Camera Tester LTA-X43M



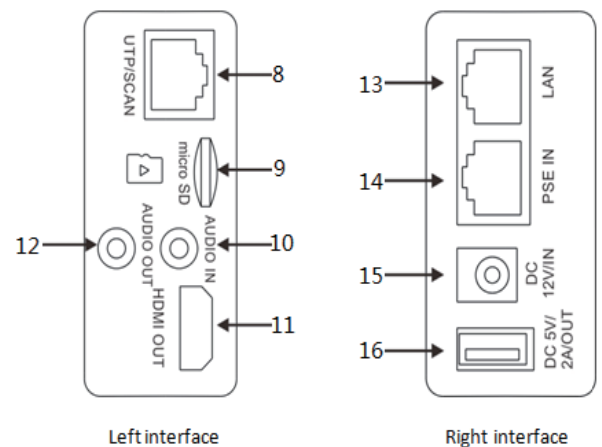
## Key Features:

- Support HD-IP & analog as well as HD-TVI/CVI/AHD camera test
- 4.3 inch touch screen, 800×480 resolution
- Compatible with H.264/MPEG4/MJPEG IP cameras
- HDMI signal output, support 1080P
- POE voltage measurement, PING test ,IP address scan, port flashing etc
- Support customers self update software
- Lithium Ion Polymer Battery can last 16 hours for normal use after charging for 8 hours

Top interface



- 1."HD IN" , AHD /TVI/CVI Coaxial interface
- 2.LED lamp
- 3.DC 12V/2A power output , for provisional DC power supply
- 4.RS232 Interface: RS232 communication for the PTZ
- 5.RS485 Interface: RS485communication for the PTZ
- 6.Video image signal output (BNC interface)
- 7.Video image signal input (BNC interface)



- 8.UTP cable port: UTP cable tester port
- 9.Micro SD card moveable, comes with 8GB, supports up to 32GB
- 10.Audio input
- 11.HDMI output interface
- 12.Audio and earphone output
- 13.PoE power supply output or LAN test port (Use to test PoE or non-PoE IP camera)
- 14.PSE power sourcing equipment. Tests PoE voltage
- 15.DC 12V/2A charging interface
- 16.DC 5V/2A USB power output , as power bank

# Multi-purpose Camera Tester

## LTA-X43M

Parameter	
Display	4.3 inch capacitive touch screen , resolution 800 (RGB) x 480
Network port	10/100M auto adapt,RJ45
WIFI	Built in WIFI, speeds150M, display wireless camera image
IP camera type	ONVIF, ONVIF PTZ, Dahua IPC-HFW2100P, Hikvision DS-2CD864-E13, Samsung SNZ-5200, Tiandy TD-NC9200S2, Kodak IPC120L, Honeywell HICC-2300T, RTSP Viewer
Rapid ONVIF	Search camera quickly, auto log in and display image from the camera, activate LTS camera
TVI/CVI/AHD test	
TVI video signal test	1 channel TVI input(BNC interface), support resolution:720p 25,30,50,60fps/ 1080p 25,30fps,3M/5M TVI
CVI video signal test	1 channel CVI input(BNC interface), support resolution:720p 25,30,50,60fps/ 1080p 25,30fps
AHD video signal test	1 channel AHD input(BNC interface), support resolution:720p 25,30fps / 1080p 25,30fps
Analog Video test	1 channel BNC Input & 1 channel BNC Output , NTSC/PAL (Auto adapt)
Zoom Image	Support Analog and IP camera image zooming /movement
Snapshot,Video record and playback	Capture still images and record live video. Media player will view photos and playback video
HDMI output	1 channel HDMI output, supports up to 1080p
12V/2A power output	Output DC12V/2A power for camera
USB 5V power output	DC 5V/2A power output only , no data
PoE power output	48V PoE power output, Max power 24W
Audio test	1 channel audio signal input and 1 channel audio signal output to connect headphones
PTZ control	Support RS232/RS485 control, Baud 600-115200bps, Compatible with more than 30 protocols such as PELCO-D/P, Samsung, Panasonic, Lilin, Yaan, etc
Color bar generator	Output one channel PAL/NTSC color bar video signal for testing monitor or video cable.(red, green , blue, white and black color )
UTP Cable tester	Test UTP cable connection status and display on the screen. Read the number on the screen
Data monitor	Captures and analyzes the command data from controlling device, also can send hexadecimal
Network test	IP address scan, link scan, and Ping test. Quickly search the for IP camera' s IP address on your network
PoE/PSE voltage test	Measures PoE switch voltage and displays pin configuration
General	
External power supply	DC 12V 2A
Battery	Built-in 7.4V Lithium polymer battery, 5000mAh
Rechargeable	After charging 7~8 hours, normal working time 16 hours
Operation setting	Capacitive touch screen, OSD menu, select your desired language
Auto off	5-30 (mins)
Working Temperature	-10 ° C ~ +50 ° C(14° F - 122° F)
Working Humidity	30%-90%
Dimension	215x127x53mm(8.5x5.0x2.1in)
Weight	0.82Kg(1.80lb)