

# Junction Box

## LTB307

Suitable for Camera series:

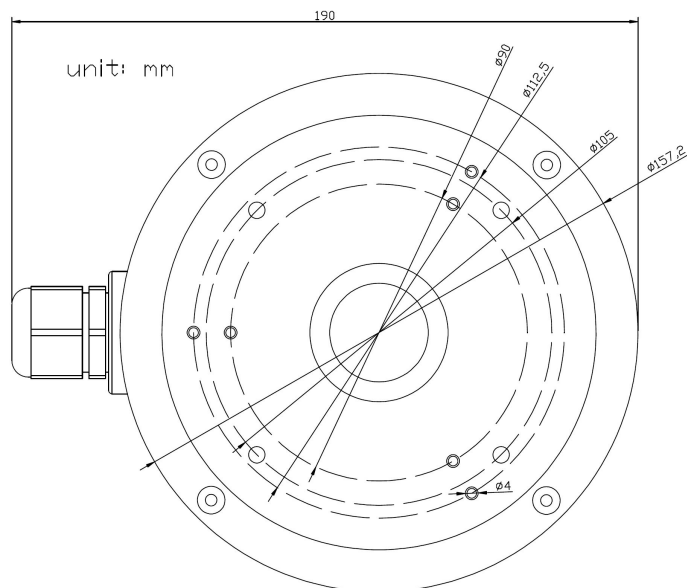
- CMIP10--
- CMIP33--
- CMIP32--
- CMIP70--
- CMHT16-- / CMHT17--



### Properties

Description	Junction Box
Construction	Aluminum Alloy - Powdercoated - Closed Cell EPDM Foam Gasket
Dimension	160(Ø) × 55mm(H)
Weight	640g

### Technical Specifications:



©2015 LT Security, Inc. All Rights Reserved. White papers, data sheets, quick start guides, and/or user manuals are for reference only and may or may not be entirely up to date or accurate based upon the version or models. Product names mentioned herein may be the unregistered and/or registered trademarks of their respective owners.