

Junction Box for Bullet Camera LTB801

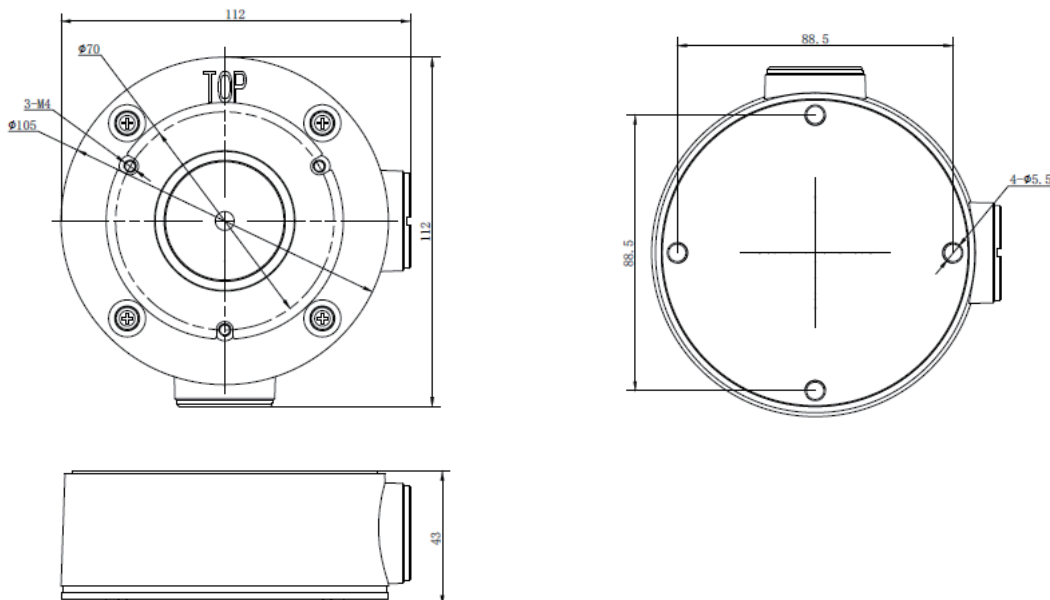
Suitable for bullet camera



Properties

Parameter	Junction Box for bullet Camera CMHR9653D-ZFN
Construction	Aluminum alloy
Dimension	Φ88.5×43mm(Φ3.5" ×1.7")
Weight	251g(0.55lbs)

Dimensions:



©2018 LT Security, Inc. All Rights Reserved. White papers, data sheets, quick start guides, and/or user manuals are for reference only and may or may not be entirely up to date or accurate based upon the version or models. Product names mentioned herein may be the unregistered and/or registered trademarks of their respective owners.