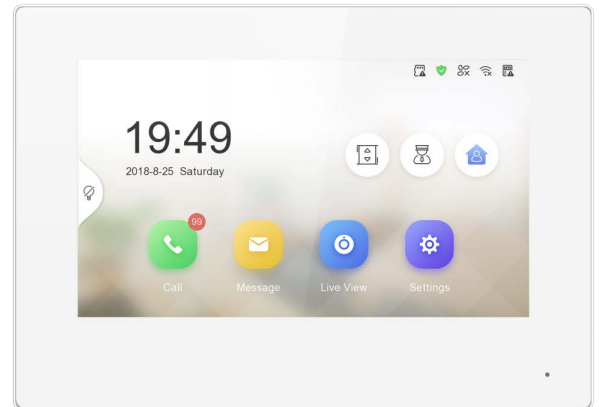


## LTH-D301GY-WIFI-W

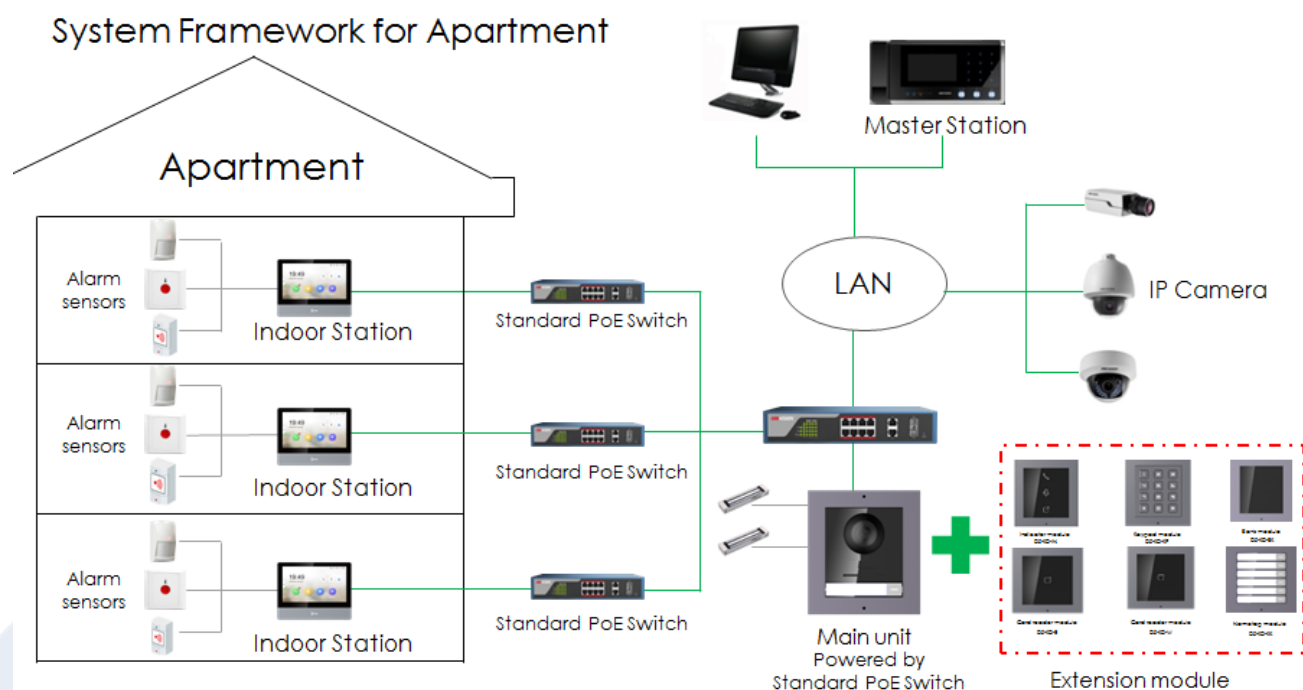
### Video Intercom Indoor Station with 7-Inch Touch Screen (White)



#### Key Feature

- UI V2.0: User friendly design
- 7-inch colorful touch screen with resolution 1024 × 600
- Standard PoE
- Stores messages and captured pictures in the TF card
- Remote unlocking via the client software or the mobile client
- Views live videos of door stations and linked cameras
- Supports wireless network

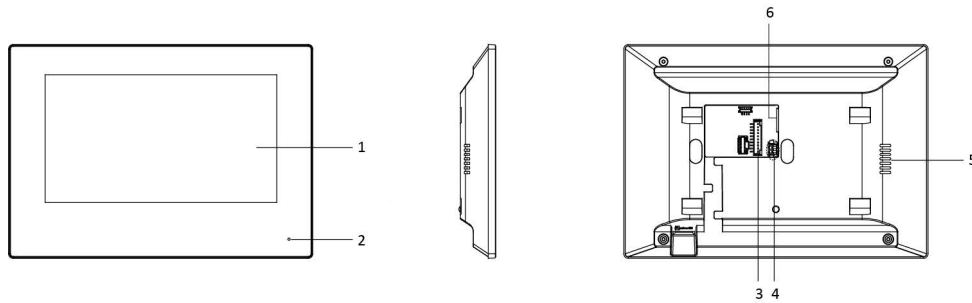
#### Typical Application



## Specification

Model		LTH-D301GY-WIFI-W
System	Memory	128 MB
	Flash	32 MB
	Operation system	Embedded Linux operation system
Display	Display screen	7-inch colorful TFT LCD
	Display resolution	1024 × 600
	Operation method	Capacitive touch screen
Audio	Audio input	Built-in omnidirectional microphone
	Audio output	Built-in loudspeaker
	Audio compression standard	G.711 U
	Audio compression rate	64 Kbps
	Audio quality	Noise suppression and echo cancellation
Network	Wired network	10/100 Mbps self-adaptive network
	Wireless network	Wi-Fi 802.11b/g/n
	Network protocol	TCP/IP、SIP、RTSP
	Network interface	1 RJ-45 10/100 Mbps self-adaptive
	Alarm input	8-ch alarm inputs
	Relay output	2
	TF card	Max to 32 G, SD 2.0 or lower version
	RS-485	1
General	Power supply	IEEE802.3af, standard PoE
		12 VDC/1 A
	Power consumption	≤ 6 W
	Working temperature	-10 °C to 55 °C (14 °F to 131 °F)
	Working humidity	10% to 90%
Dimensions (W × H × D)	200 mm × 140 mm × 15.1 mm (7.9" × 5.5" × 0.6")	

## Physical Interface



No.	Description
1	Display Screen
2	Microphone
3	Alarm Terminal
4	Power Interface
5	Loudspeaker
6	Network Interface and Power Supply

© 2020 LTS Security Australia. All Rights Reserved. White papers, data sheets, quick start guides, and/or user manuals are for reference only and may or may not be entirely up to date or accurate based upon the version or models. Product names mentioned herein may be the unregistered and/or registered trademarks of their respective owners