

LTH-M201-IM Indicator Module



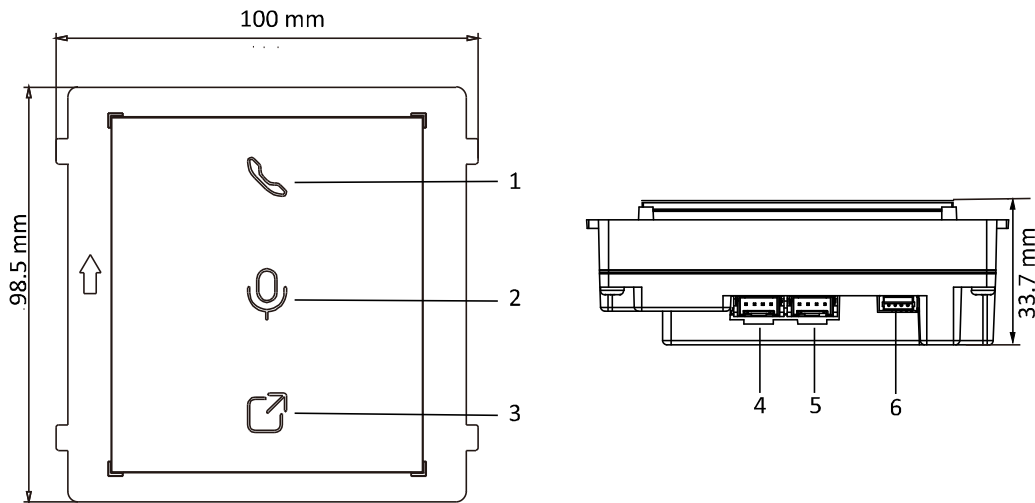
Key Feature

- Indicates the device status: calling, opening door and two-way audio
- Backlight compensation
- Easy to and extend

Specification

Model		LTH-M201-IM
System parameter	Processor	Embedded MCU Processor
Interfaces	Module-connecting	2(1 Input, 1 Output)
	Debug	1
General	DIP switch	8
	Power input	12 VDC(Powered by the other module)
	Power output	12 VDC(Powered for the other module)
	Power consumption	≤2W
	Working temperature	-40° C to +60° C(-40° F to 140° F)
	Working humidity	10% to 95%
	IP protection level	IP65
	Installation	Flush Mounting, Surface Mounting
	Dimensions (L × W × H)	98.5 mm × 100 mm × 33.7 mm (3.87" × 3.95" × 1.33")

Appearance and Interface



No.	Description
1	Calling Indicator
2	Two-way Audio Indicator
3	Unlock Indicator
4	Module-connecting Interface(output)
5	Module-connecting Interface(input)
6	Debug Port