



**Built To Run
Continuously**



Product Features

- Industrial level DID LCD panel, suitable for 24x7 CCTV Applications
- Physical resolution of 1920×1080.
- 5ms fast response time, no image ghosting.
- Latest 3D digital filtering and 3D digital noise reduction technology.
- 178° wide viewing angle;
- High fidelity digital processing, brilliant vivid video.
- Built-in speaker.
- Easy Menu; Convenient Controller.

DNle digital image processing

Dynamic optimization



Natural color



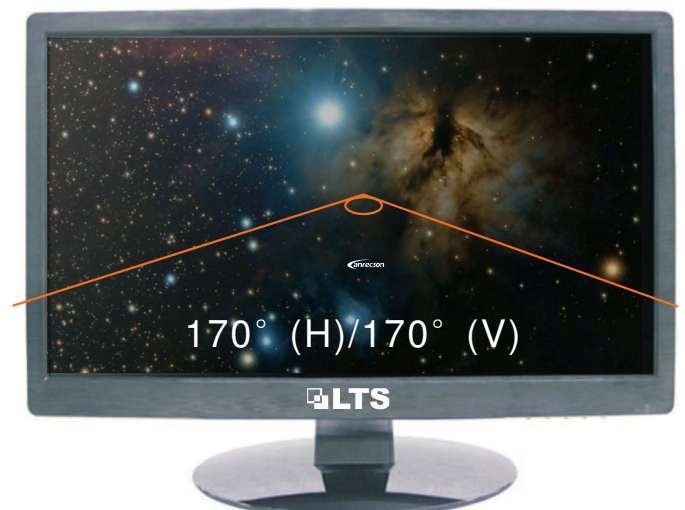
Contrast enhancement



Detail enhancement



Wide Viewing Angles (Up to 178°)



DISPLAY CHARACTERISTICS

Mode Name	MON-24H
Screen Size	24''
Active Display Area (mm)	521.28mm(W)×293.22mm(H)
Display Mode	16:9
LED Type	TFT-LED
Resolution	1920 × 1080
Display Color	16.7M
Pixel Pitch(mm)	0.248(H)×0.248(V)
Brightness(nits)	350cd/m ²
Contrast Ratio	1000:1
Viewing Angle	178(H) /178(V)
Response Time	5ms
Backlight	LED

INPUT & OUTPUT

HDMI 2.0	1
VGA	1
Speaker	2x3W(Stereo)

VIDEO

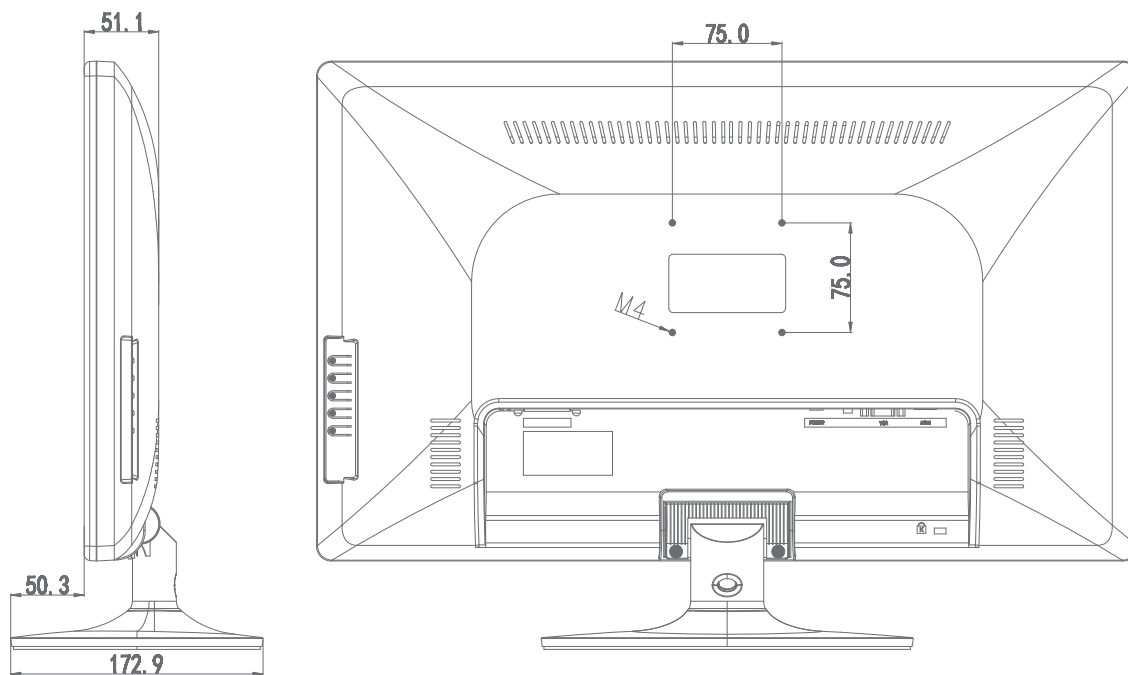
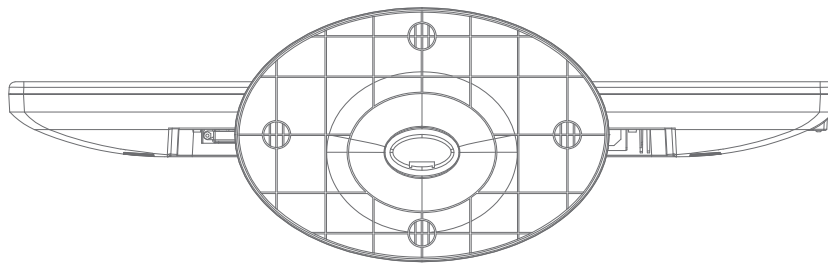
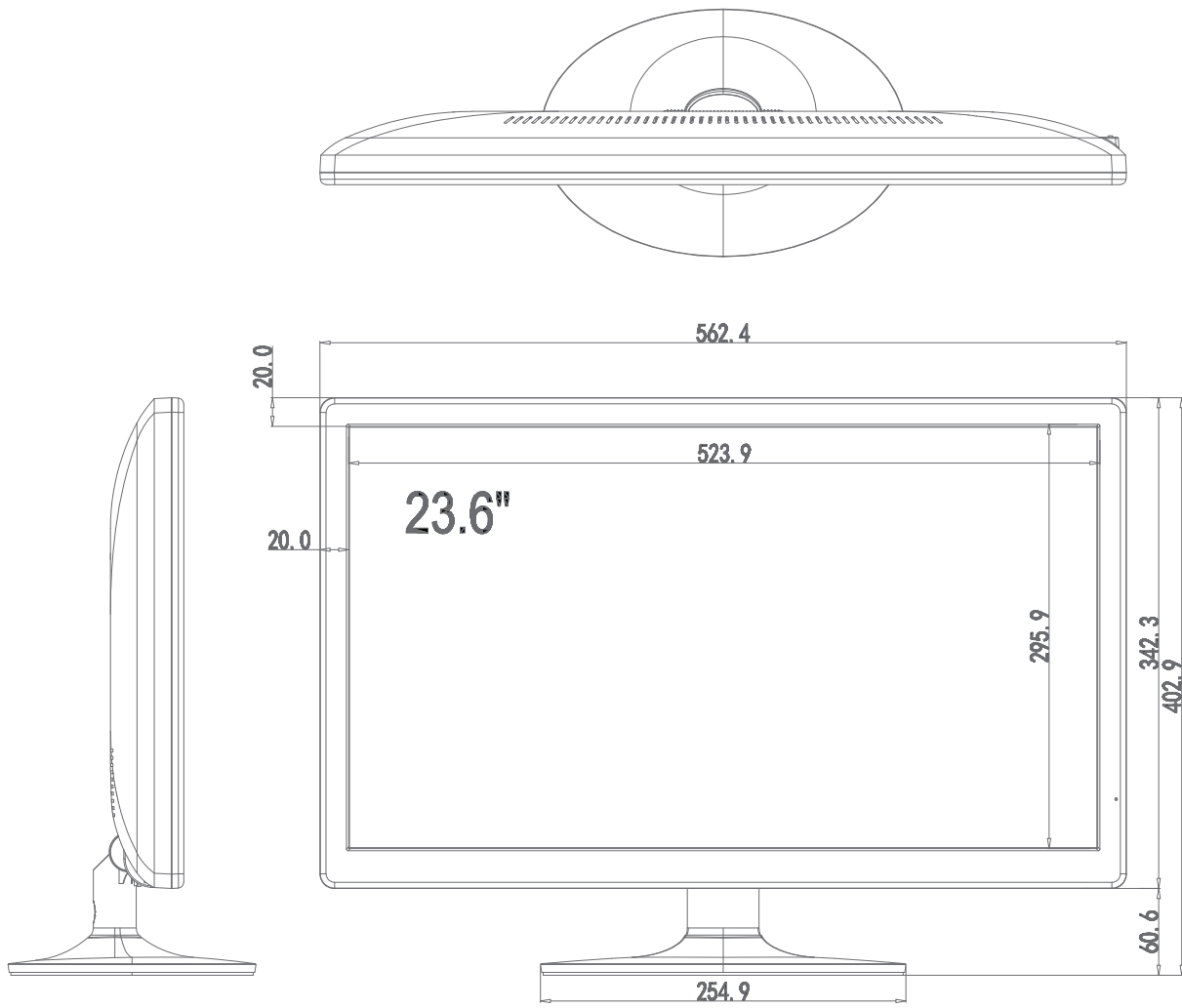
Color System	PAL/NTSC/SECAM
OSD Control	Auto adjust, Brightness, Contrast, Hori. / Vert. Position, Clock, phase, Color, Language..
3D comb filter	YES
Video Noise Reduction	YES

POWER

Power	DC12V,50/60Hz
Working Temperature	-30 to +85 °C
Power Consumption	≦25W
Menu	Chinese/English(other languages supported)
Mounting/Weight	Stand mount, VESA mount/4kg
MTBF	50000Hours
Certificate Approval	CE,RoHS,CCC,FCC,ISO9000, UL
Application	Monitoring , Transportation, Controlling room, ETC

ACCESSORIES

INCLUDED ACCESSORIES	Industrial PSU,Screw, Cable holder, Quick start guide
----------------------	---



Unit:mm

All LCD's comply with ISO-9241-307:2008 in connection with pixel defects.