

PoE Extender

Installation Guide



Product overview

4-Ports PoE Extender has 5 10/100M PoE ports, among them, 1 port for power input, and others for power output. Comply with 10/100BASE-TX, IEEE802.3at(power-in) /IEEE802.3af(power-out). The power input is 25.5W in total. Power output for single port is 15.4W(max).

1-Port PoE Extender has 2 10/100M LAN ports, among them, one for power input, the other for power output. Comply with 10/100BASE-TX, IEEE802.3af(PoE). Power input for single port is 13W. Power output for single port is 12.2W.

PoE Extenders can increase the transmission distance for Ethernet data and PoE power up to 120m via Cat5 UTP cables. It offers you great flexibility to extend the distance of PoE.

Features

- ▲ Comply with IEEE 802.3af Power over Ethernet.
- ▲ 10/100M Supported.
- ▲ Extend the range of PoE an additional 120 meters.
- ▲ Automatically detects and protects PoE equipments from being damaged by incorrect installation.
- ▲ Plug-and Play no configuration required.
- ▲ 4 ports PoE extender can forward both ethernet and PoE power for 4 terminal equipments via Cat5 UTP cables.
- ▲ 1 port PoE extender can forward both ethernet and PoE power for 1 terminal equipment via Cat5 UTP cable.

Introduction of Product

Applicable Range

- ▲ Used with AP, IP camera, IP telephone and the other network equipments in the situation of the lack of power line or far away from the power outlets.
- ▲ Installed at hotels, schools, buildings, villages, etc.

Package contents

10/100M PoE Extender (4-Ports or 1-Port)
User Manual
Screw set (3.5x20mm, for 4-Ports PoE Extender only)

Note:

1. Please don't place any heavy thing on the PoE Extender.
2. To prevent the water seeping into the extender, please keep PoE extender away from wet environment.
3. Suggest to use PoE extender indoors. When installing the extender in outdoor, please install it in a waterproof house.

Power-Distance Chart

For 1-Port PoE Extender only

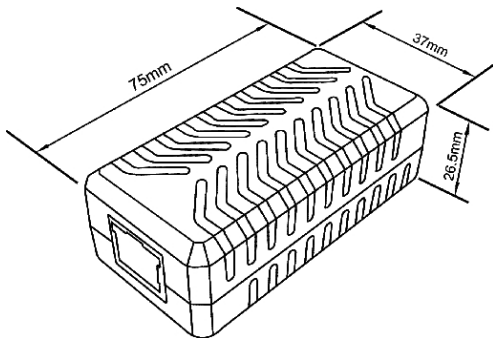
Load Power	Test Condition	Cascade Numbers	Extension Distance
6W	Power-in:DC56V; UTP Wire Resistance: 9.38Ω/100m	4	600m
9W		3	480m
12W		2	360m

Product Structure

Indicator Status:

LED	Status	Color	Description
PoE in	ON	Orange	Extender is connected
	OFF	-----	Extender is not connected
PSE out	ON	Orange	PD is connected
	OFF	-----	No PD is connected or power forwarding fails
LINK/ACT	ON	Green	The port is connecting
	Blinks	Green	The port is receiving or transmitting data
	OFF	-----	The port is not linked successfully with the device

Figure 1: Product Structure Diagram
for 1-Port 10/100Mbps PoE Extender



Product Structure

Figure 2: Product Structure Diagram
for 4-Ports 10/100Mbps PoE Extender

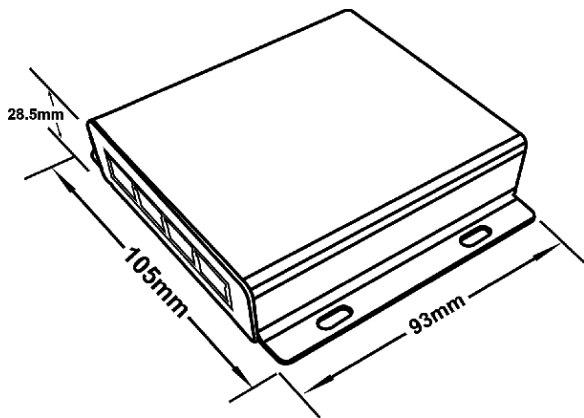
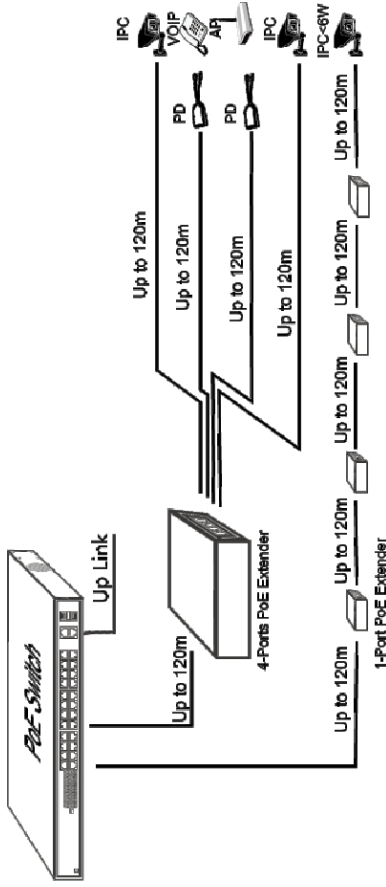


Figure 3: Connection Diagram



Specifications

Product Name	1-Port 10/100M PoE Extender	4-Ports 10/100M PoE Extender
Port Description	PoE input: 1 RJ45 port PoE output: 1 RJ45 port	PoE input: 1 RJ45 port PoE output: 4 RJ45 ports
Network Medium	Cat5 or better UTP cables(≤120m)	
Repeater Mode	Store and forward	
MAC Address Table	2K	
Packet Buffer Memory	48K Byte	
Switching Capacity	400Mbps	1.0Gbps
PoE Standard	IEEE802.3af	IEEE802.3at(power-in) IEEE802.3af(power-out)
PoE Port Power	Input Power: 13Watts; Output: 12.2Watts	Input Power: 25.5Watts; Output: 24Watts in total
LED Display	PoE working status, ethernet	
PoE Power Supply Type	1 /2(+), 3/6(-), Mode A, End-Span	
Network Protocol	IEEE 802.3i: 10BASE-T IEEE 802.3u: 100Base-TX IEEE 802.3x: Flow Control IEEE 802.3af: Power over Ethernet IEEE 802.3at: Power over Ethernet(for 4-Ports PoE Extender only)	
Regulation Compliance	FCC Part 15B RoHS Directive 2011/65/EU Low Voltage Directive 2014/35/EU Electromagnetic Compatibility Directive 2004/108/EC	
Working Environment	Working Temperature: 0°C ~ 40°C Working Humidity: 10% ~ 90%, No Condensation	
Storage Environment	Storage Temperature: -30°C ~ 70°C Storage Humidity: 5% ~ 90%, No Condensation	
Dimension	75x37x26.5mm	105x93x28.5mm

